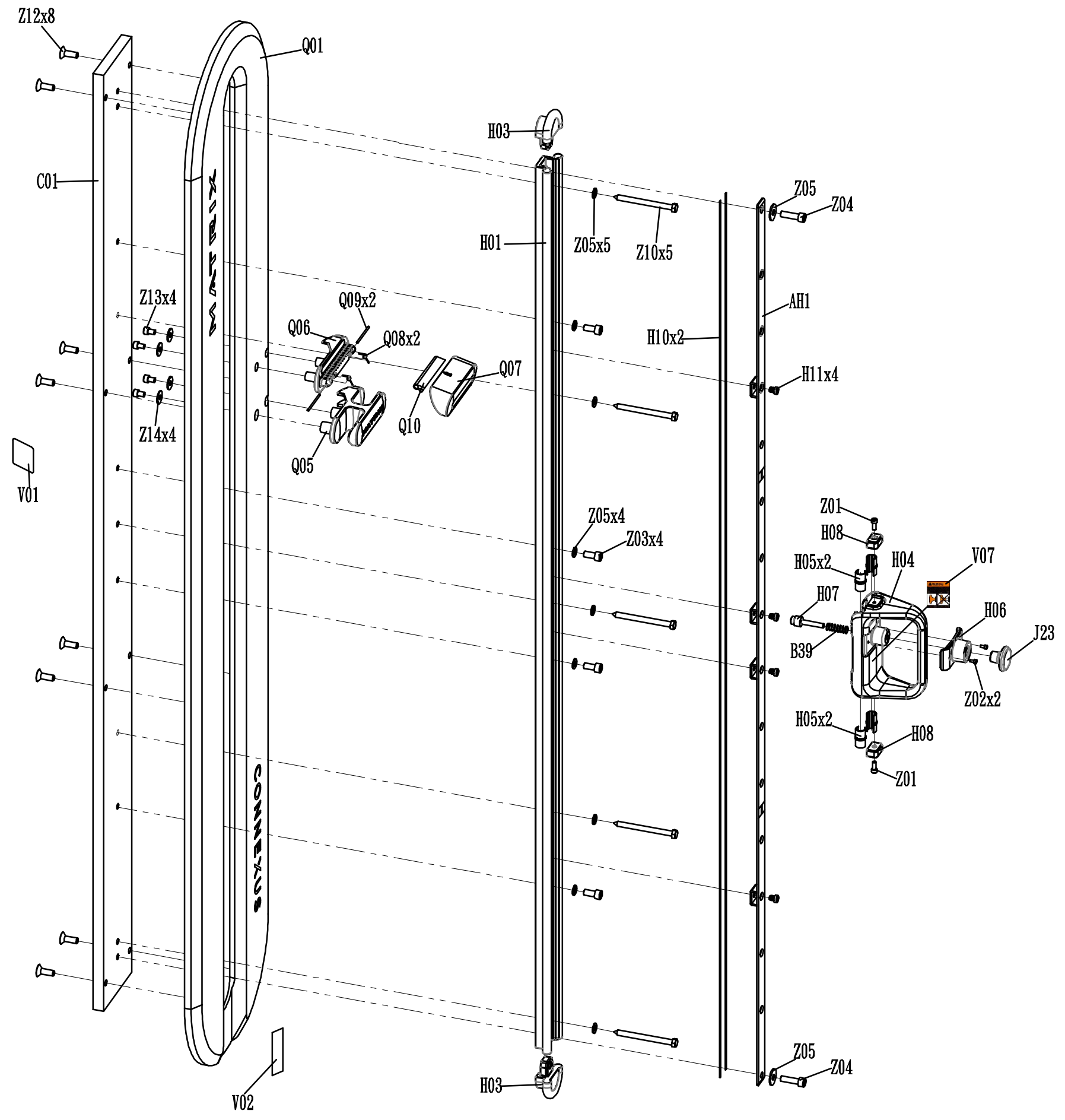


DRAWING NO	PGT07-KM		
PART NAME	Explosive Drawing		
PART NO	MGT0010-00	REV	A
APPROVE	Michael	DATE	2017.11.1



Connexus_GFTSLR_-_Connexus_Column

Reference Number	Part #	Description	Notes
B39	1000393222	Spring Compression	1.3x12.7x38Lx7 SWP
H03	1000354056	Cap 130g	Anodizing/Sanding
H04	1000354058	Grip Grip	Anodizing/Sanding
H05	1000354200	DryLin	GT01 JUMO-01-16 IGUS
H07	1000354059	Pull Pin	Adjustable
H08	1000354060	Rubber Plate Stopper	NBR Q520-7-3 MATTE
H11	049274-00	Screw Hex Socket	Button Head M8x1.25Px10
J23	1000217438	Handle Pull Pin	TPP Black Orange GM59
V07	1000375665	Warning Label	PULL PIN PC GM106
Z01	1000099212	Screw SH	M6x1.0Px15L - HS - CHM - -
Z02	1000358289	Screw Socket Head	M4x0.7Px8L Hex Socket
Z03	049256-AB	Screw Hex Socket	Round M10x1.5Px20L Cr
Z04	004529-AD	Screw Hex Socket	Round M10x1.5Px40L
Z05	005062-00	Washer Flat	10.2x19x2.0T Chromed
Z12	1000309326	Screw Hex Socket	Flat Head M10X1.5PX40L
Z13	1000228977	Screw HH	M8x12L - HE - CHM - G12.9
Z14	1000102905	Washer Flat	8.4x24x2.0t Cr Plate
AH1	1000412167	Adjustable Set-Exreawork	Pin Laser lett
C01	1000401805	Raw decking material	MDF 1950x150x20t NA
H01	1000412159	Elliptical Track	1863L AL 6063 Anodizi
H10	1000412163	Foam singleside	1826x3x1.0T GT10-KM
Q01	1000410890	running deck-Extrawork	Screen print G
Q05	1000401819	Hanging Hook	Fixing TPU GT07-KM
Q06	1000401823	Support Base	IPOD ABS GT07-KM
Q07	1000415423	fixing base-Extrawork	IPOD Screen print
Q08	1000401822	Torsional Spring	Torsion F4.5xF1.2x6.2L
Q09	1000401824	Strut bracing	Torsion F3.0x60L SWPB Blac
Q10	1000405813	Halyard fastener	IPOD SBR GT07-KM
V01	1000411035	EN LABEL	GT07-KM
V02	1000409378	Warning Label	GT10-KM
Z10	1000410889	Screw Hex Head	3/8x114L Wood Screw Threa
B39	005485-E	Spring Stretch	SWP Discontinued
H06	1000354201	Nut Cap	ABS/PA757 Q520-7-3 GT01 Discontinued